

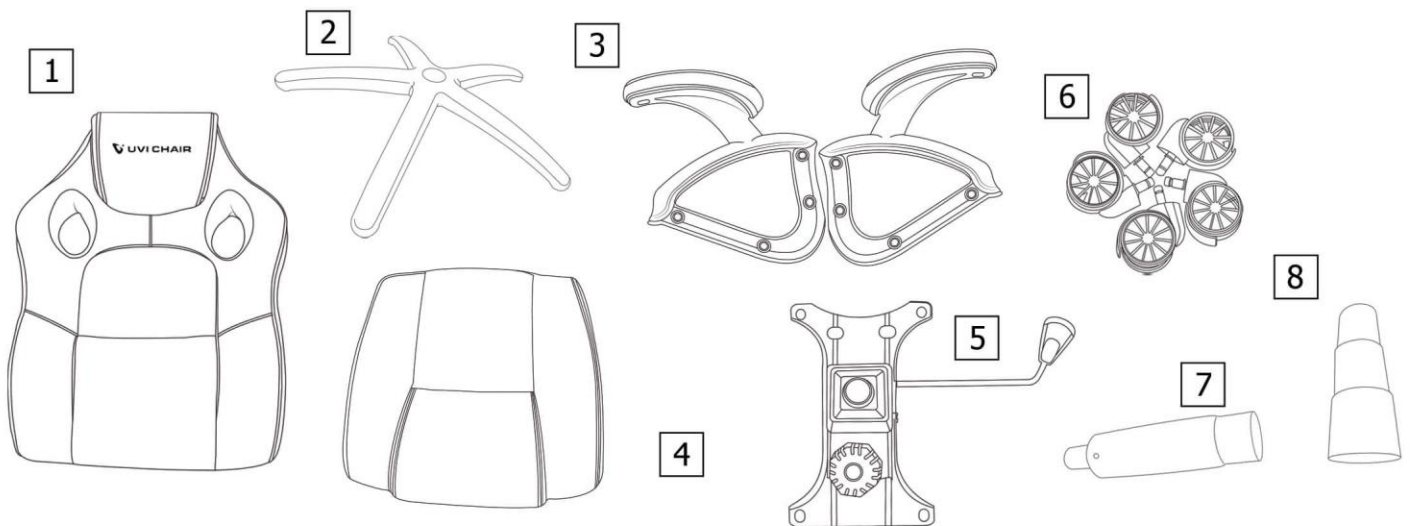
# ASSEMBLY GUIDE

**This assembly guide is meant for UVI Chairs Hero Red and Storm Blue.  
If you have a different model, please check out a different guide!**

## ATTENTION:

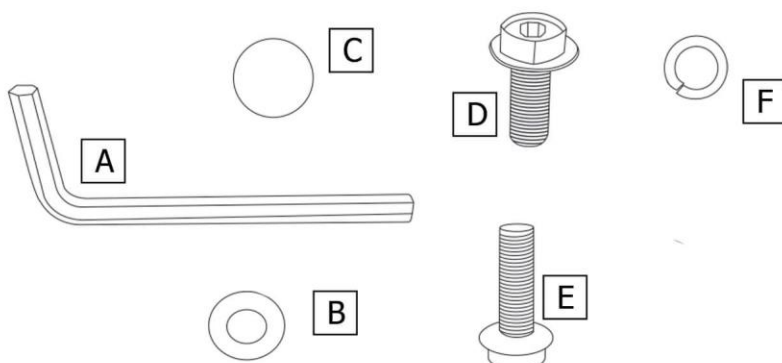
- 1) For proper assembly of the chair, we ask you to follow the instructions step by step.
- 2) Before you start the assembly, please verify all parts are there.
- 3) Please refrain from using any other tools for the assembly.
- 4) Do not use the chair, unless all bolts and screws are tight.

## Main Box Contents



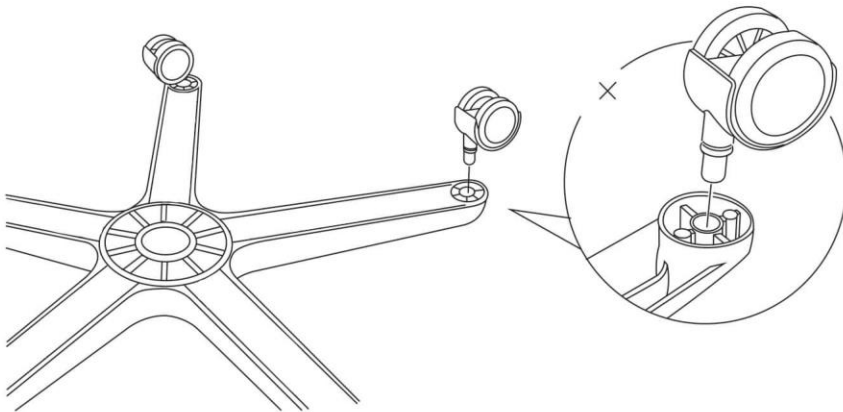
- |                          |                          |
|--------------------------|--------------------------|
| 1. UVI Backrest          | 5. Butterfly Mechanism   |
| 2. Five-star chair base  | 6. 5x UVI Rubber Casters |
| 3. Extra Padded Armrests | 7. Gaslift CLASS-4       |
| 4. UVI Chair seat        | 8. Gaslift plastic cover |

## Tools and assembly parts



- A: Allen wrench  
B: 14x Plain Washer  
C: 8x Plastic cover for holes  
D: 4x Bolt M8 x20 (shorter)  
E: 8x Bolt M8 x25 (longer)  
F: 14x Spring Washer

# ASSEMBLY GUIDE

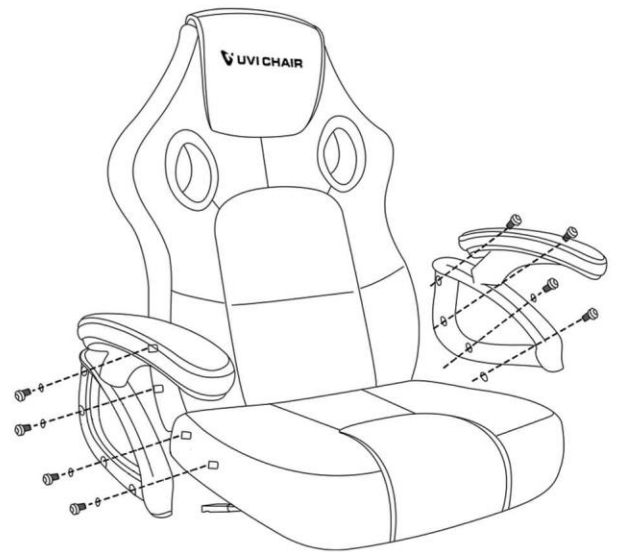
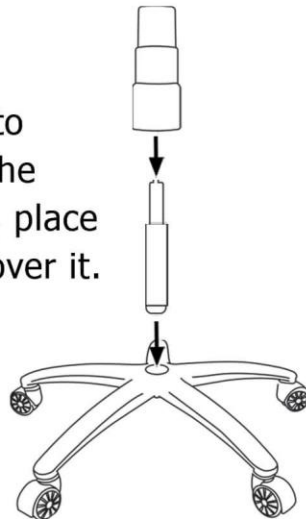


## Step 1:

Attach UVI Rubber casters to 5-star chair base. Make sure that you hear a "click" sound when attaching the wheel.

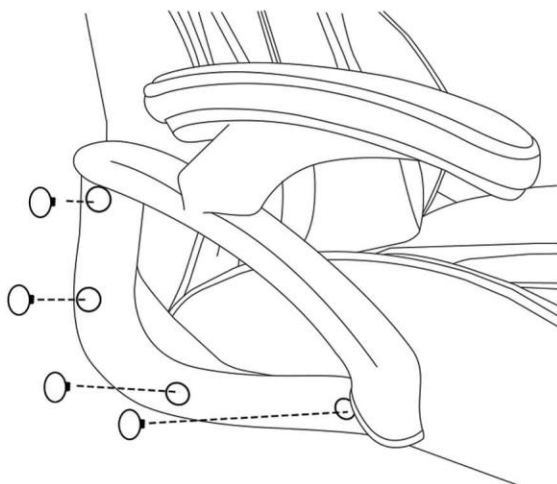
## Step 2:

Insert Gaslift CLASS-4 into 5-star chair base. Once the Gaslift is inside the base, place the Gaslift cover plastic over it.



## Step 3:

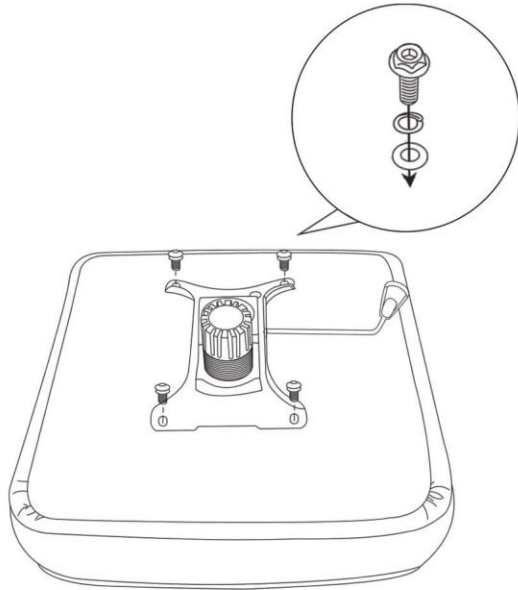
Take UVI Chair seat, backrest and Extra Padded Armrest. Use 4x Bolt M25 M8 x25 for each Armrest to attach them to both the seat and backrest as shown in the above picture. Make sure that the bolts are screwed tightly.



## Step 4:

Before moving on to the next step, you need to cover the holes. Use 8x Plastic caps and cover the holes on both sides. If you have a hard time getting them in, you can use a hammer but do not apply to much pressure on them.

# ASSEMBLY GUIDE

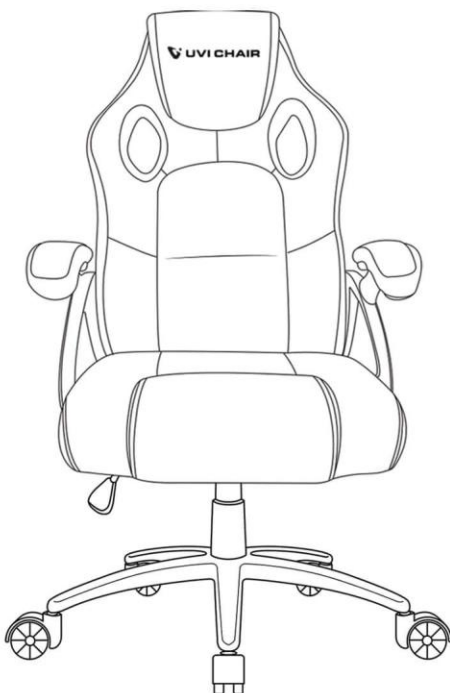
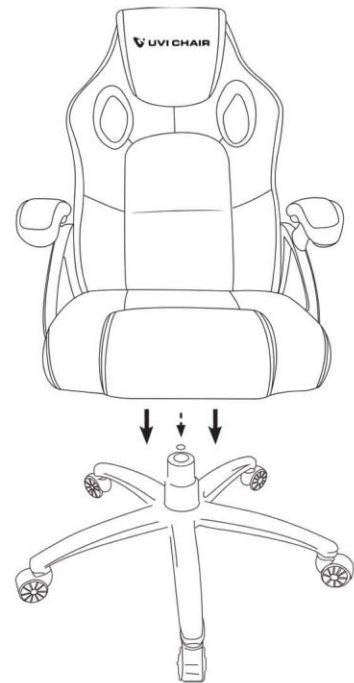


## Step 5:

It is time to attach the Butterfly mechanism to the UVI seat. Turn the chair around and attach the mechanism, as show on the picture, using 4x Bolt M8 x20 screws. Make sure that the nob is facing forward!

## Step 6:

Once you have successfully attached the Butterfly Mechanism to the seat of the chair, the only thing left to do is to attach the chair to 5-star base. Once you have successfully attached both parts together, put some weight on the seat of the chair, to check that everything is as it should be.



## CONGRATULATIONS!

You have successfully assembled your UVI Chair! We hope that he will serve you well and that you two will have a lot of great times together!

Before you start using the chair, please look over our **safety information!**