



UVI Breacher

Assembly Guide













You can find assembly guides in other languages at:
[UVI.gg/AG](https://uvi.gg/AG) or via the QR code



1

UVI Breacher

- EN**  Read the entire instruction manual before you start installation and assembly. If you have any questions regarding any of the instructions or warnings, please contact your local distributor for assistance.
-  **CAUTION:** Use with products heavier than the rated weights indicated may result in instability causing possible injury.
- Please closely follow the assembly instructions. Improper installation may result in damage or serious personal injury.
 - Safety gear and proper tools must be used. This product should only be installed by professionals.
 - Make sure that the supporting surface will safely support the combined weight of the equipment and all attached hardware components.
 - Use the mounting screws provided and **DO NOT OVER TIGHTEN** mounting screws.
 - This product contains small items that could be choking hazard if swallowed. Keep these items away from children.
 - This product is intended for indoor use only. Using this product outdoors could lead to product failure and personal injury.
- IMPORTANT:** Ensure that you have received all parts according to the component checklist prior to installation. If any parts are missing or faulty, contact your place of purchase for a replacement.
- MAINTENANCE:** Check that the product is secure and safe to use at regular intervals (at least every three months).
- SLO**  Pred sestavo in montažo preberite celotni vodič za sestavo. Če imate kakršnokoli vprašanje glede navodil ali opozoril, prosimo kontaktirajte svojega lokalnega distributerja za pomoč.
-  **PREVIDNO:** Uporaba izdelka z večjimi težami kot so predpisane lahko povzroči nestabilnost in resne telesne poškodbe.
- Nosilci morajo biti pritrjeni kot je navedeno v navodilih za sestavo. Nepravilna montaža lahko povzroči škodo ali resno telesno poškodbo.
 - Uporabljeni morajo biti varnostna zaščita in pravilna orodja. Ta izdelek lahko namesti samo profesionalno osebeje.
 - Prepričajte se, da bo podporna površina prenesla vso težo opreme in vso povezano strojno opremo in druge komponente.
 - Uporabite nosilne vijake, ki so že v paketu in vijakov **NE PRIVIJTE PREVEČ**.
 - Izdelek vsebuje majhne predmete, ki lahko predstavljajo nevarnost zadušitve. Držite te predmete stran od otrok.
 - Izdelek je namenjen samo notranji uporabi. Uporaba izdelka zunaj lahko privede do kvarjenja izdelka ali pa do telesne poškodbe.
- POMEMBNO:** Prepričajte se, da ste v paketu prejeli vse dele glede na kontrolni seznam predmetov. Če kakšni deli manjkajo ali so poškodovani, stopite v stik s svojim lokalnim distributerjem za zamenjavo.
- VZDRŽEVANJE:** Preverite varnost okvirja v rednih intervalih (vsaj vsake tri mesece).
- Slovenska navodila lahko najdete na spletni strani [UVI.gg/sl/AG](http://uvi.gg/sl/AG)**
- HR**  Prije montaže pročitajte cjeloviti vodič za montažu. Ako imate bilo kakvih pitanja u vezi s uputama ili upozorenjima se za pomoć obratite lokalnom distributeru.
-  **OPREZ:** Korištenje proizvoda većim od propisane težine može uzrokovati nestabilnost i ozbiljne ozljede.
- Nosачi moraju biti učvršćeni kako je naznačeno u uputama za montažu. Nepravilna montaža može uzrokovati oštećenja ili ozbiljne ozljede.
 - Mora se koristiti sigurnosna zaštita i pravi alati. Ovaj proizvod smije instalirati samo profesionalno osoblje.
 - Osigurajte da će noseća površina nositi svu težinu opreme i sav hardver i ostale komponente.
 - Upotrijebite pričvršćne vijke koji su već u pakiranju i vijke ne **PRITEGNITE PREVIŠE**.
 - Proizvod sadrži male predmete koji mogu predstavljati opasnost od gušenja. Držite te predmete dalje od djece.
 - Ovaj je proizvod namijenjen samo za internu upotrebu. Korištenje proizvoda izvana može dovesti do oštećenja proizvoda ili ozljede.
- VAŽNO:** Provjerite jesu li svi predmeti u pakiranju prema popisu predmeta. Ako neki dijelovi nedostaju ili su oštećeni, obratite se lokalnom distributeru za zamjenu.
- ODRŽAVANJE:** Provjerite sigurnost okvira u redovitim intervalima (najmanje svaka tri mjeseca).
- Hrvatske upute možete pronaći na web stranici [UVI.gg/AG](http://uvi.gg/AG).**
- DE**  Bitte vor Beginn der Montage und Zusammenbau das ganze Handbuch durchlesen. Bitte sich mit dem Händler vor Ort bei Fragen zur Anleitung oder Warnungen in Verbindung setzen.
-  **VORSICHT:** Bei Verwendung mit Produkten, die das zulässige Gewicht überschreiten, können Schaden oder möglicherweise Verletzungen die Folge sein.
- Halterungen sollen entsprechend den Montageanweisungen angebracht werden. Eine unsachgemäße Montage kann Schäden oder Verletzungen zur Folge haben.
 - Sicherheitsausrüstung und geeignete Werkzeuge verwenden. Die Montage des Produktes sollte nur von Fachleuten durchgeführt werden.
 - Die tragenden Oberflächen sollten das gesamte Gewicht von Geräten und allen zusätzlichen Bauteilen sicher aushalten können.
 - Nur die mitgelieferten Einbauschrauben verwenden und die Schrauben **NICHT ZU FEST ANZIEHEN**.
 - Dieses Produkt enthält Kleinteile, die Erstickenungsgefahr beim Verschlucken hervorrufen können. Diese Teile von Kindern fernhalten.
 - Dieses Produkt nur in Innenräumen verwenden. Verwendung des Produktes im Außenbereich kann zu Verletzungen und Schäden führen.
- WICHTIG:** Vor der Montage bitte alle erhaltenen Bauteile mit der Bauteilliste abgleichen. Bei beschädigten oder fehlenden Teilen den Händler vor Ort nach Ersatzteilen fragen.
- WARTUNG:** Die Haltenmgsklammer regelmäßig auf Sicherheit und Stabilität prüfen (am besten alle drei Monate).
- FR**  Lisez entièrement le guide d'utilisateur avant de commencer l'installation et le montage. Si vous avez des questions concernant les instructions ou les avertissements, veuillez contacter votre distributeur local pour une assistance.
-  **ATTENTION:** L'utilisation de produits plus lourds que les poids nominaux indiqués peut entraîner une instabilité causant des blessures potentielles.
- Les supports doivent être joints comme spécifié dans les instructions de montage. Une mauvaise installation peut entraîner des dommages ou de graves blessures aux personnes.
 - Un équipement de sécurité et les outils appropriés doivent être utilisés. Ce produit devrait être installé uniquement par des professionnels.
 - Assurez-vous que la surface de soutien supporte en sécurité le poids combiné de l'équipement et de tous les matériaux et composants associés.
 - Utilisez les vis de montage fournies et **NE SERREZ PAS TROP** les vis de montage.
 - Ce produit contient de petites pièces qui peuvent causer un étouffement si elles sont avalées. Eloignez ces pièces des enfants.
 - Ce produit est prévu uniquement pour une utilisation à l'intérieur. L'utilisation de ce produit à l'extérieur peut entraîner une défaillance du produit ou des blessures aux personnes.
- IMPORTANT:** Avant l'installation, assurez-vous que vous avez reçu toutes les pièces selon la liste de vérification des composants. Si une pièce est manquante ou endommagée, téléphonez à votre distributeur local pour qu'il la remplace.
- MAINTENANCE:** A intervalles réguliers (au moins tous les trois mois) vérifiez que le support est d'utilisation sûre et fiable.

Preface

This UVI Desk consists of a heavy-duty steel desk frame and is equipped with LED RGB lighting. Please read and completely understand this manual before installation in order to ensure the safe and correct use of the product and maintain the longevity of the desk.

Safety Instructions and Warnings:

- This UVI Desk consists of a heavy-duty steel desk frame and is equipped with LED RGB lighting. Please read and completely understand this manual before installation in order to ensure the safe and correct use of the product and maintain the longevity of the desk.
- Any disregard of instructions, warnings and additional information marked with the “Note” or ⚠ sign may result in serious damage to the system or its components.
- This product can be used by children aged 8 years or above if they have been given supervision or instructions concerning use of the appliance in a safe way and understand the hazards involved. Children should not play with the product. Cleaning and maintenance should not be made by children without supervision.
- Users should make sure that they never sit on the desk in order to prevent serious injury.

Other Safety Instructions:

- Clear up all obstacles within the height adjustment range.
- Any attempts to reconstruct the desk frame are forbidden.
- Don't add anything to the adjustable junctions of the desk frame.
- Outdoor use is prohibited.

3

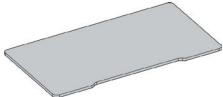
UVI Breacher

Preparation

1 What are the specifications you need to know?



Weight capacity
100 kg



Tabletop dimensions
1360 × 600 × 16 mm

2 Required tools for the installation



Bubble Level



Allen Wrench
(included)



Screwdriver

3 Recommended protection



Blanket for floor and deck protection



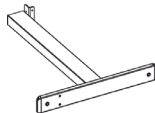
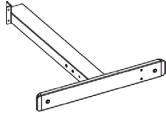
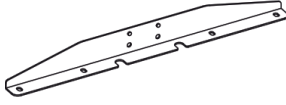
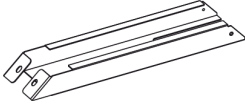



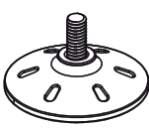
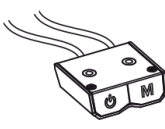
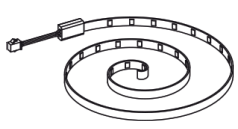
4 Things you need to know before installation

Please check all of the components shown in the component checklist. If any of the components is missing or damaged, contact your point of purchase for a replacement.



Disposal: The product with this mark indicates that this product shouldn't be disposed with other household waste throughout the EU. To prevent possible harm to the environment or human health from uncontrolled waste disposal, recycle it responsibly to promote the sustainable reuse of material resources. To return your used device, please use the local recycle service or contact your point of purchase for product withdrawal.

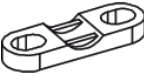
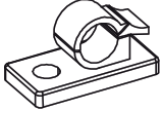


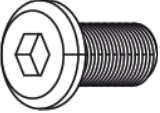
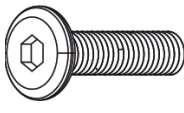


Components

| | | | |
|--|---|--|---|
|  <p>A (×1) Tabletop</p> |  <p>B (×1) Sync Rod</p> |  <p>C (×1) Foot</p> |  <p>D (×1) Foot</p> |
|  <p>E (×2) Side Bracket</p> |  <p>F (×2) Support Bracket</p> |  <p>G (×2) Plastic Cover</p> |  <p>H (×1) Headphones holder</p> |
|  <p>I (×1) Drink holder</p> |  <p>J (×4) Foot pad</p> |  <p>K (×1) LED connector</p> |  <p>L (×1) LED strip</p> |

4

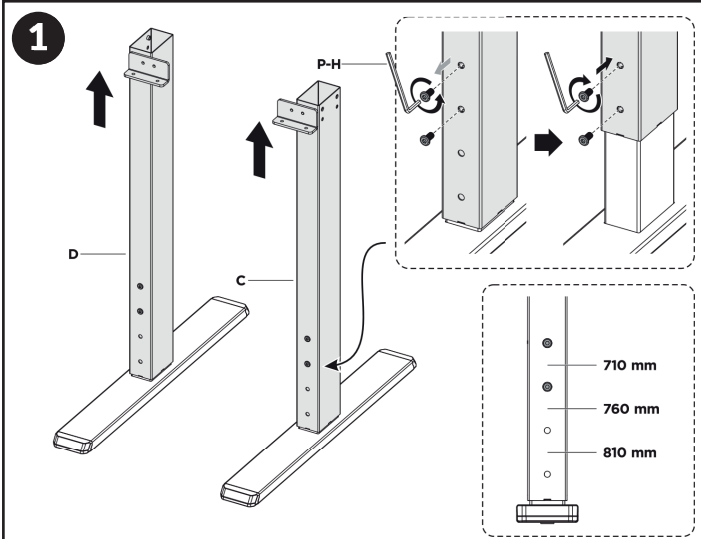
UVI Breacher

Screws and Clamps

| | | | |
|--|---|--|--|
|  P-A (x1) Fixing Clip |  P-B (x3) Cable Clip |  P-C (x4) ST2.9x8 Screws |  P-D (x9) ST4.2x14 Screws |
|  P-E (x16) M6x12 Screws |  P-F (x2) M6x25 Screws |  P-G (x4) M6x50 Screws |  P-H Allen Wrench |

Height adjustment

1

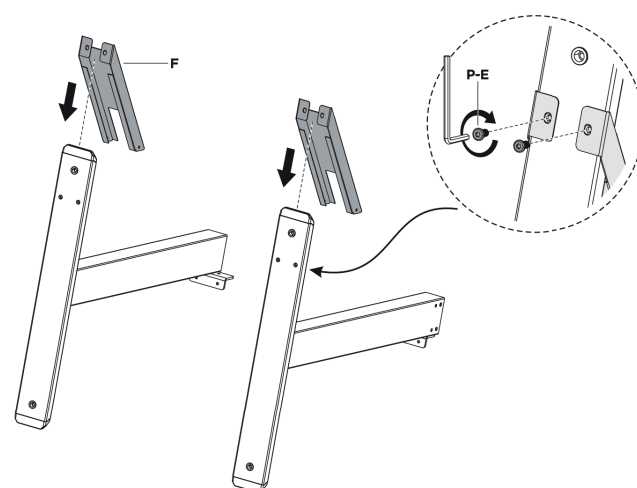


Set the desired height of the UVI Desk on legs [D] and [C] with 2x screws [P-E] and Allen Wrench [P-H]. Three height settings are available: 710 mm, 760 mm and 810 mm.

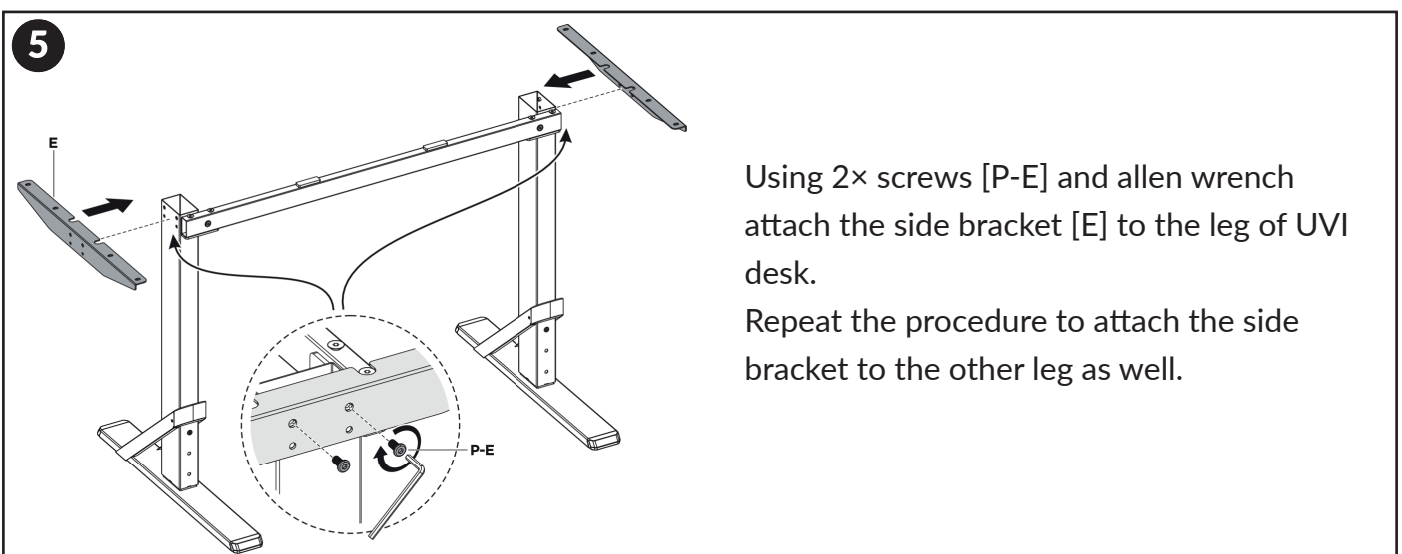
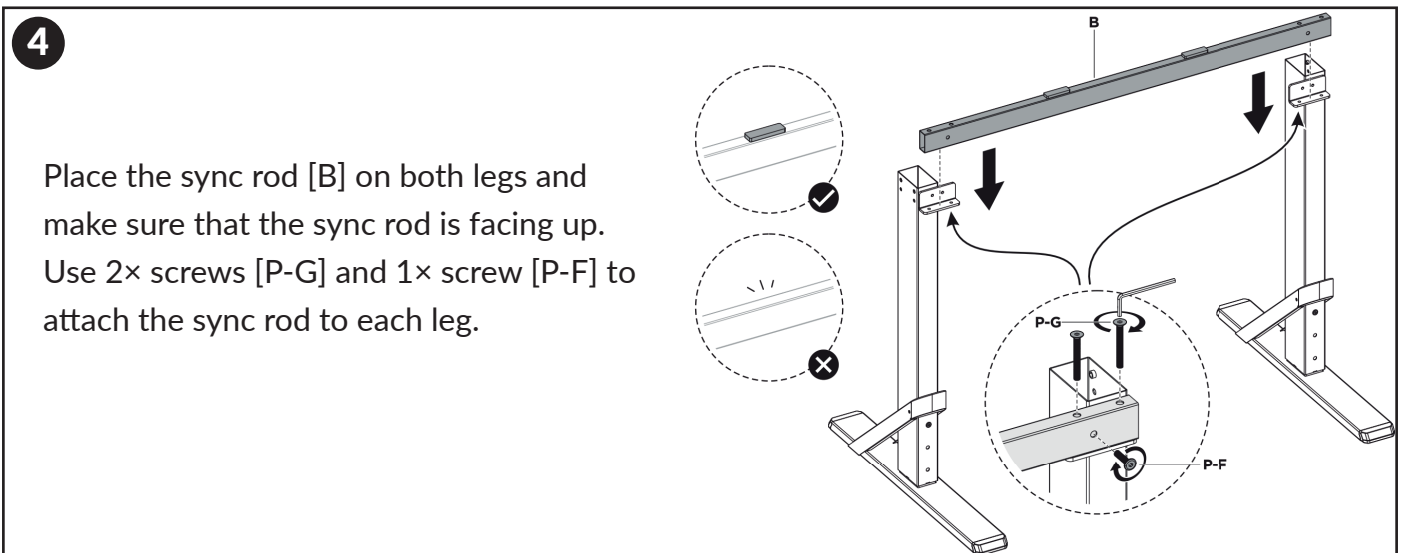
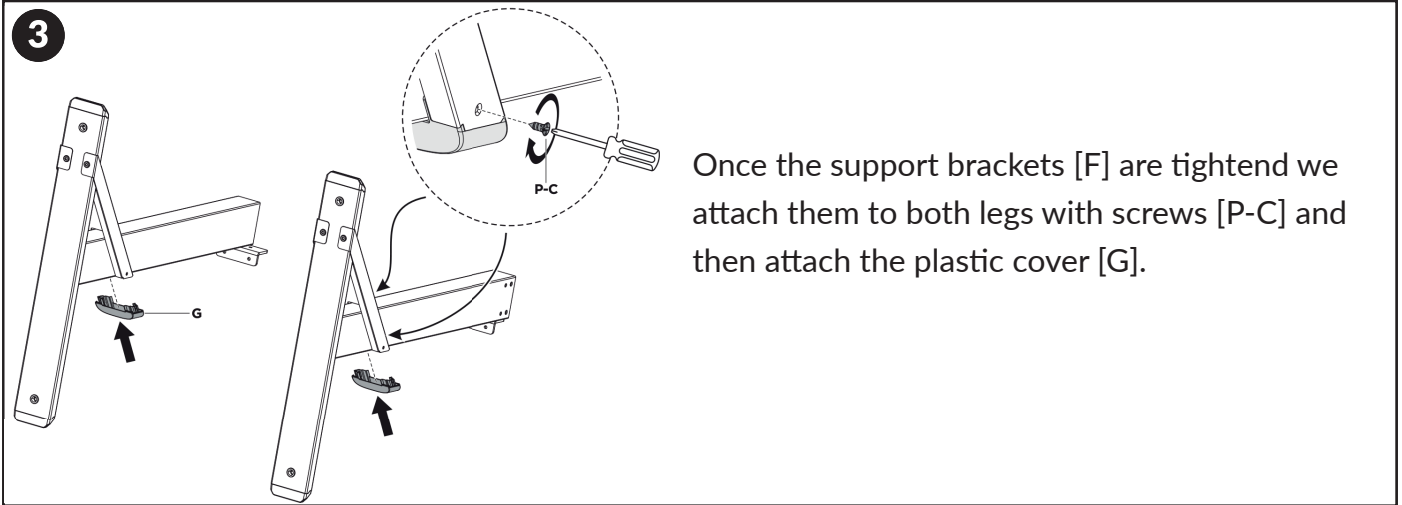
Assembling the Legs

2

Fix the support bracket on both legs [F] using 2x screws [P-E]. Before tightening make sure the mounting holes on the legs are completely aligned with the screw holes on the support bracket.



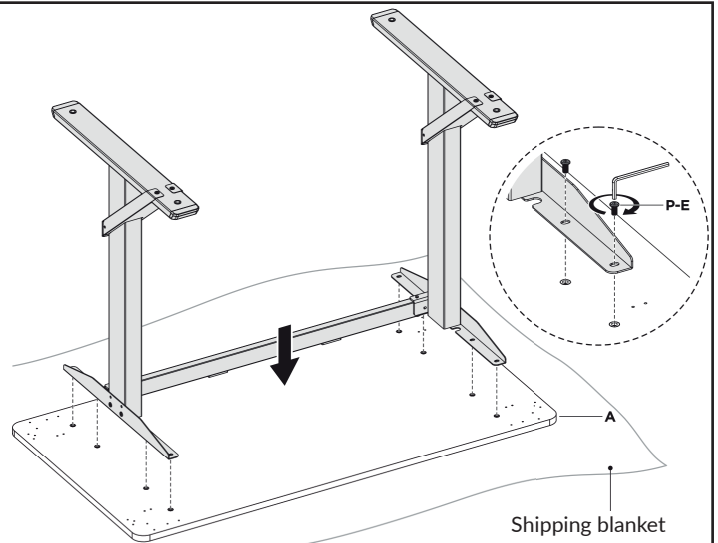
Attaching the Brackets



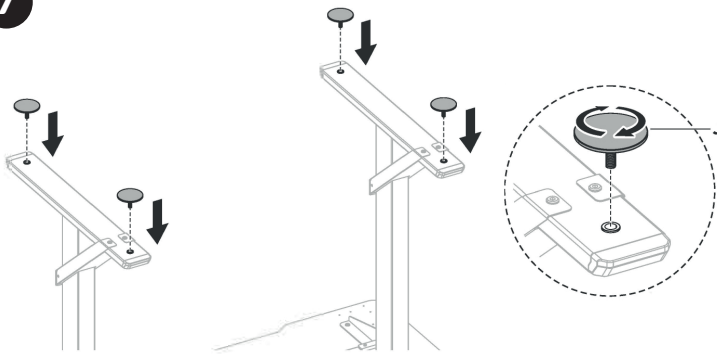
Assembling the Tabletop and Foot Pads

6

Put a shipping blanket on the floor to prevent scratches on the floor and tabletop [A]. Before attaching the frame make sure the mounting holes on the legs are aligned with screw holes on the tabletop. Use the allen wrench to tighten 8× screws [P-E].



7

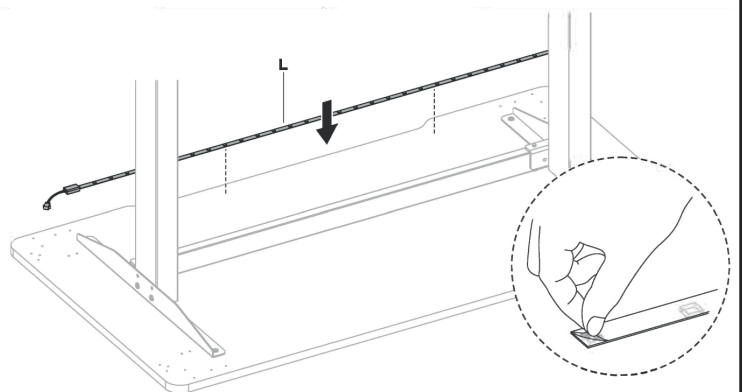


Attach 2× foot pads [J] under each foot. If the floor isn't even, simply turn the pad to adjust the height to make the desk stable.

LED Lighting and Finalization

8

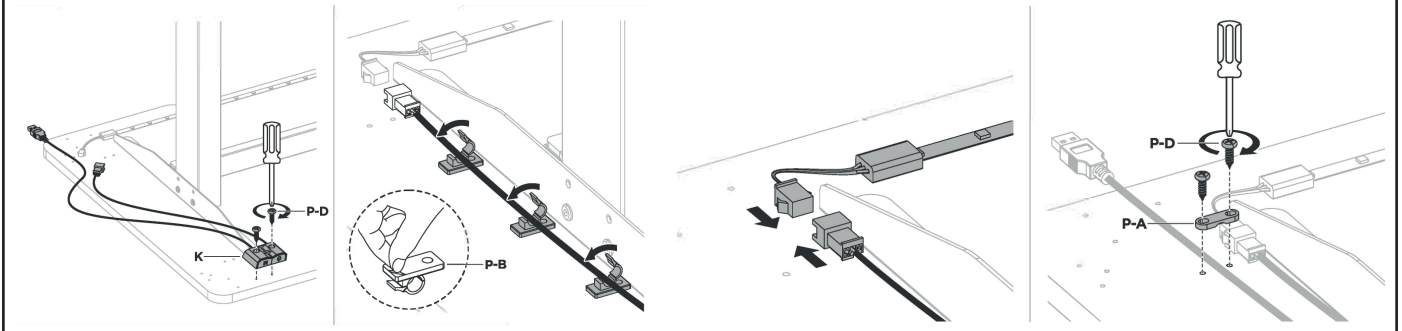
Remove the protective foil and carefully attach the LED strip [L]. LED strip can be attached to either side of the table. We recommend attaching it to the back.



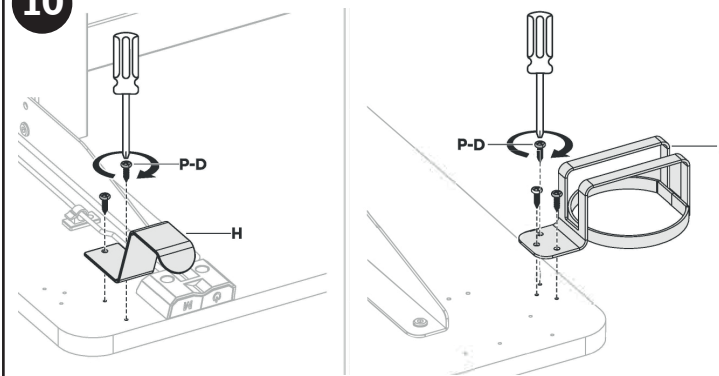
9

Use screws [P-D] to attach LED controller [K] to the edge of the table. Attach Cable clips [P-B] at the side bracket as shown.

Use the Fixing clip [P-A] and 2× screws [P-D] to fix the cables.



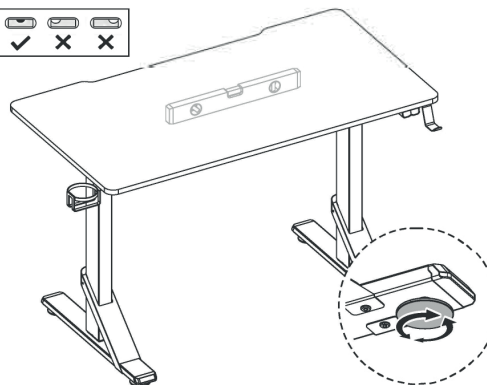
10



Using 2× screws [P-D] attach the headphones holder [H] to one side of the table and 3× screws [P-D] to attach drink holder [I] on the other side. Each holder can be attached to the either side of the table.

11

Congratulations, your new UVI Desk is set up! We recommend you use the Bubble Level to check if the tabletop is even and also try out the LED lighting.



Turn on: short press
Turn off: long press

Lighting mode change
(11 RGB modes)