



UVI Simple

Assembly Guide



You can find assembly guides in other languages at:
[UVI.gg/AG](https://uvi.gg/AG) or via the QR code!



1

UVI Simple Office

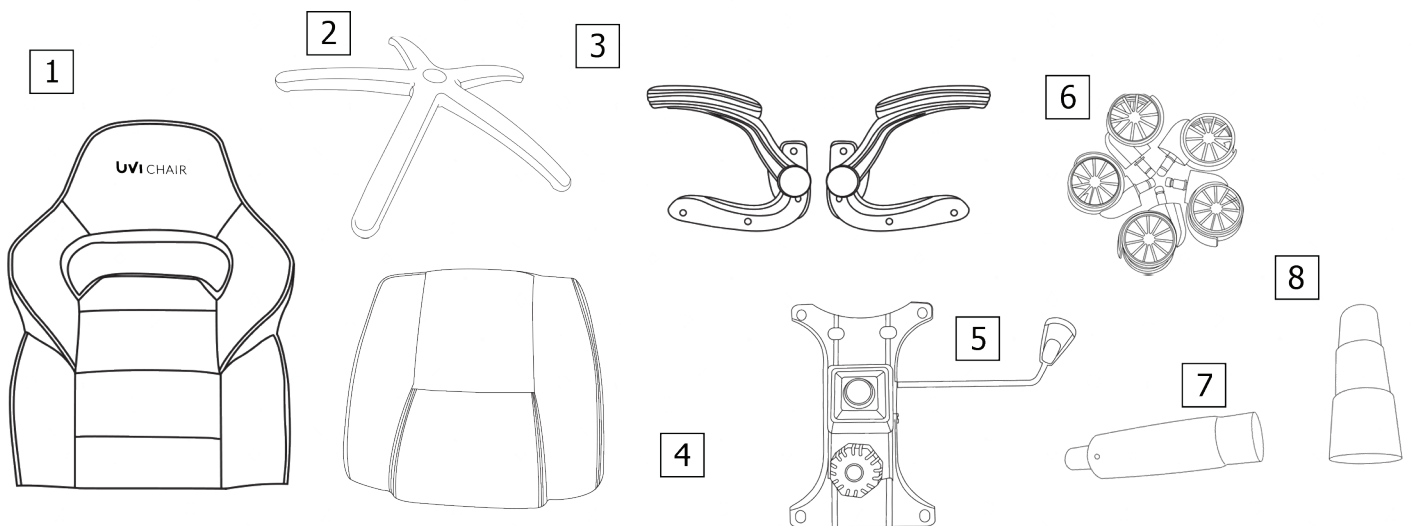
This assembly guide is meant for UVI Chair model Simple Office.

If you have a different model please check out the right guide!

ATTENTION:

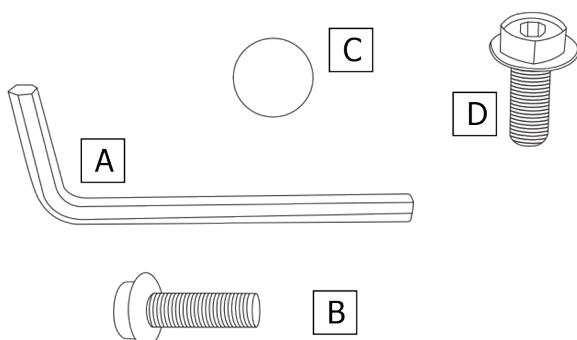
- 1) For proper assembly of the chair, we ask you to follow the instructions step by step.
- 2) Before you start the assembly please verify all parts are there.
- 3) Please refrain from using any other tools for the assembly.
- 4) Do not use the chair unless all bolts and screws are tight.

Main Box Contents



- | | |
|-------------------------------|--------------------------|
| 1. UVI Backrest | 5. Butterfly Mechanism |
| 2. Five-star chair base | 6. 5x UVI Rubber Casters |
| 3. Padded Adjustable Armrests | 7. Gaslift CLASS-4 |
| 4. UVI Chair seat | 8. Gaslift plastic cover |

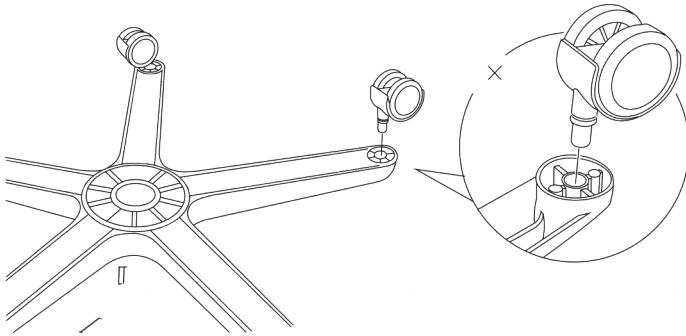
Tools and assembly parts



- A: Allen wrench
- B: 10x Bolt M8 x25 (longer)
- C: 4x Plastic plugs for the holes
- D: 4x Bolt M8 x20 (shorter)

2

UVI Simple Office

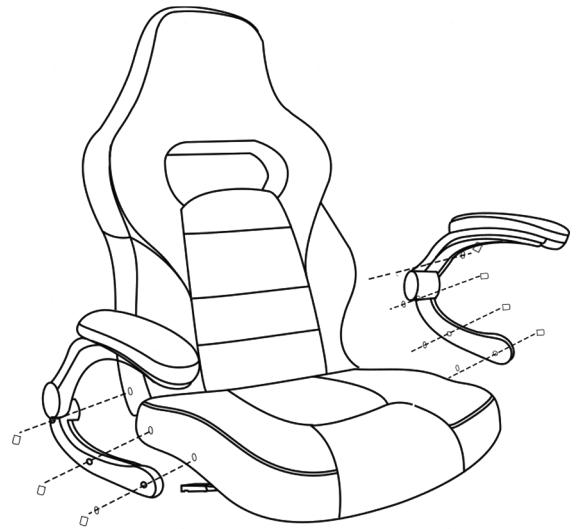
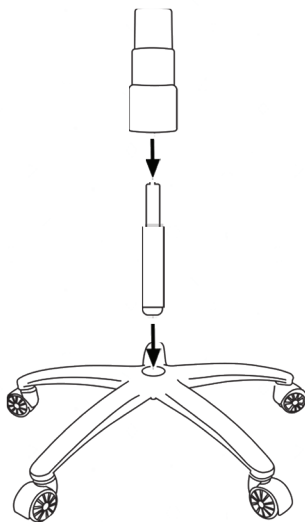


Step 1:

Attach UVI Rubber casters to 5-star chair base. Make sure that you hear a “click” sound when attaching the wheel.

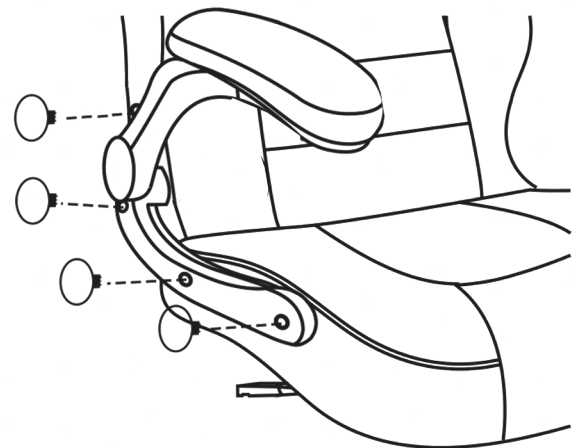
Step 2:

Insert Gaslift CLASS-4 into 5-star chair base. Once the Gaslift is inside the base the Gaslift cover plastic over it.



Step 3:

Take UVI Chair seat, backrest, and Extra Padded Armrest. Use 4x Bolt M25 M8 x25 for each Armrest to attach it to both seat and backrest as shown in the above picture. Make sure that the bolts are screwed tightly.

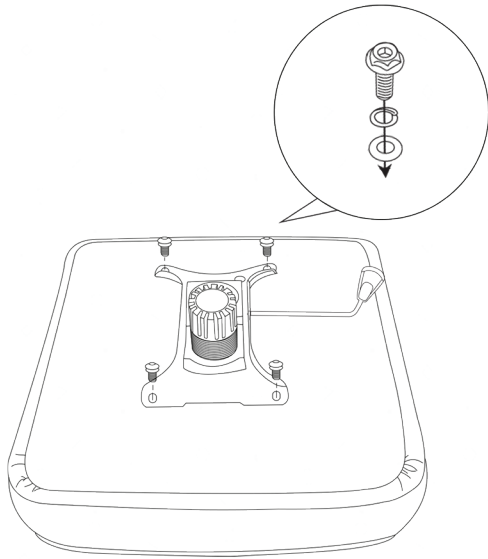


Step 4:

Before moving on to the next step you need to cover the holes. Use 8x Plastic plugs and cover holes on both sides. If you have a hard time getting them in you can use a hammer but do not apply to much pressure on them.

3

UVI Simple Office

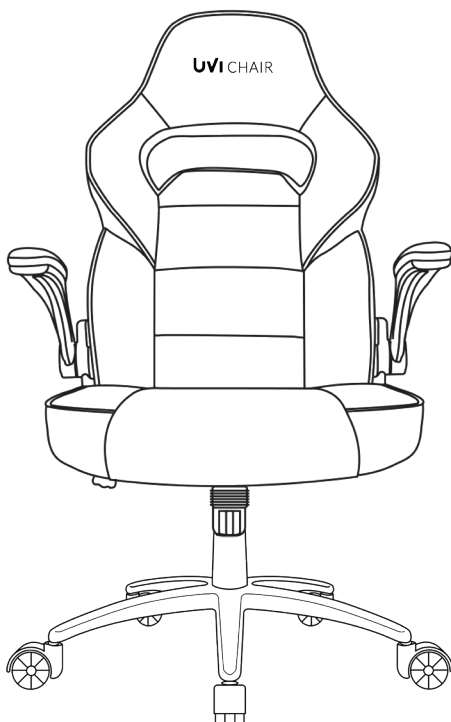
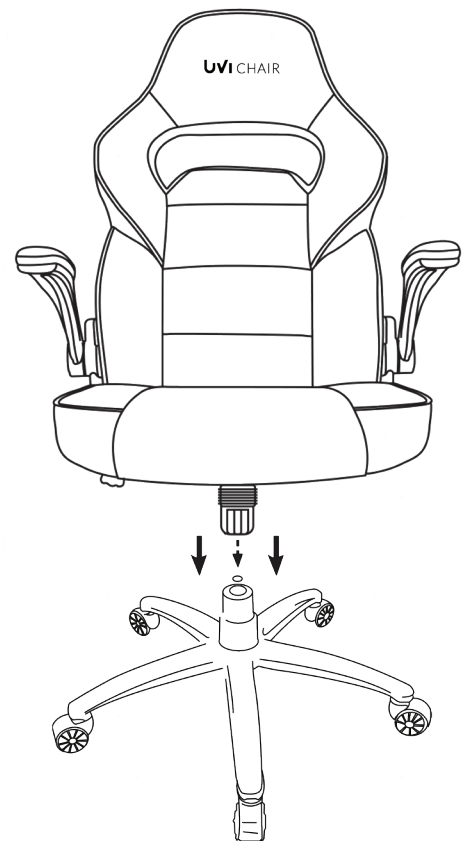


Step 5:

It is time to attach the Butterfly mechanism to the UVI seat. Turn the chair around and attach the mechanism as show on the picture using 4x Bolt M8 x20 screws. Make sure that the nob is facing forward!

Step 6:

Once you have successfully attached Butterfly Mechanism to the seat of the chair the only thing left to do is to attach the chair to 5-star base. Once you have successfully attached both parts together put some weight on the seat of the chair to check if everything is as it should be.



Step 7:

You have successfully assembled your UVI Chair! We hope that he will serve you well and that you two will have a lot of great time together!

Before you start using the chair please look over our **safety information!**

Safety measures

Before you start using your new UVI chair please go carefully over do and don'ts regarding proper usage of the chair.

We strongly suggest that you carefully follow all restrictions and use UVI Chairs as intended. This way you will be able to prevent any unnecessary injuries to yourself or others.

If you have any additional questions regarding your new UVI Chair we suggest you check out our Frequently Asked Questions at UVI.gg/FAQ. If you do not find all of your answers there feel free to contact us via email at info@uvi.gg and we will be more than happy to help you!



HOW TO USE UVI CHAIR



HOW NOT TO USE UVI CHAIR



We hope that your new UVI Chair will bring you a lot of happiness and joy and wish you best of luck in the future! If you want to stay updated with UVI brand news and promotions please follow our social media accounts as well as our website!

And do not forget to keep your UVI Chair in top shape at all times! If you need more information on how to do that make sure to visit our UVI BLOG or go to uvi.gg/care to find out how to properly take care of your new partner in crime!